

Code•Master™ Jr. LED Factory Sealed Luminaires

Explosionproof, Dust-Ignitionproof

For use with threaded metal conduit.

NEC/CEC:

Class I, Division 1, Groups B, C, D ①
Class II, Division 1, Groups E, F, G
Class III
Zone 1, Ex db IIB + H₂
NEMA 3R, 4X

NEC/CEC:

Suitable for use in Wet Locations
Marine Outside Type (Salt Water)

Applications

- For use in chemical and petrochemical plants, such as manufacturers of plastics, paints and thinners, in refineries, and in other areas where ignitable vapors, dust, moisture and corrosive elements may be present.
- Suitable for outdoor saltwater locations and for other wet locations.

Features

- Fixtures operate safely in high ambient temperatures:
-40°C to +55°C (-40°F to +131°F) for CJLL1 and CJLL2;
-40°C to +40°C (-40°F to +104°F) for CJLL3.

Nominal Lumens	Incandescent		Model Number
	Equivalent	HID Equivalent	
1,600	100W	50W	CJLL1
3,000	300W	70-100W	CJLL2
5,150	—	100-150W	CJLL3

- Acme double-lead threads speed installation of fixture into the mounting hood to make electrical connection.
- The only wiring required is attaching two wires to connection block in mounting hood. Also allows safe, easy servicing without disconnecting any wires.
- Heat- and impact-resistant globes have smooth dust-resistant exterior.
- Optional guards protect globes from damage. Secured to fixture with three stainless steel screws.
- Choice of mountings: pendant, ceiling, bracket and stanchion.
- Fiberglass-reinforced polyester reflectors, in standard dome or 30° angle styles, are ideal in installations where luminaire is subject to exceptionally severe corrosive atmospheres.
- All threaded joints are flame-tight.
- Universal, high efficient drivers cover voltage requirements for 120-277 Vac 50/60 Hz, 100 – 300 Vdc for CJLL1 and CJLL2; 120-277 Vac 50/60 Hz, 125 – 300 Vdc for CJLL3; 347-480 Vac 50/60 Hz for CJLL3.

Options

- Aluminum guard available, purchase separately

Standard Materials

- Fixture housing, mounting hoods and guards: copperfree (4/10 of 1% max.) aluminum
- Globes: prismatic glass
- Reflectors: fiberglass reinforced polyester

Standard Finishes

- Fixture housing, guards and mounting hoods: epoxy power coat finish, electrostatically applied for complete, uniform corrosion protection



NEC/CEC Certifications and Compliances

- UL Standard: UL1598 (4th Ed.), UL1598A (1st Ed.), UL8750 (2nd Ed.), UL844 (13th Ed.)
- CSA Standard: CSA C22.2 No. 250.0-08, CSA C22.2 No. 137-18, CSA C22.2 No. 60079-0, and CSA C22.2 No. 60079-1
- UL Listed: E10444

Related Products

- Code•Master LED
- Code•Master Incandescent
- A-51™ LED

① For Group B applications, a Group B rated mounting hood must be used.

Code•Master™ Jr. LED Factory Sealed Luminaires

Explosionproof, Dust-Ignitionproof

For use with threaded metal conduit.

NEC/CEC:

Class I, Division 1, Groups B, C, D ①
 Class II, Division 1, Groups E, F, G
 Class III
 Zone 1, Ex db IIB + H₂
 NEMA 3R, 4X

NEC/CEC:

Suitable for use in Wet Locations
 Marine Outside Type (Salt Water)

Pendant
 One Hub
 3/4" NPT
CAP75
CAP75B



Ceiling
 Four Hubs
 Three Close-Up Plugs
 3/4" NPT
CAC75
CAC75B



Bracket
 Four Hubs
 Three Close-Up Plugs
 3/4" NPT
CALB75
CALB75B



25° Stanchion
 One Hub
 1-1/4 or 1-1/2" NPT
CAS150
CAS150B



Code•Master
Jr. LED Fixture Unit
CJLL



Optional
Standard Dome
KR2-ST



Optional
Angle Reflector
KR2-AN



Optional Aluminum
Guard
CJGU-15



Optional Three Way
Exit Sign
CJEXRN
 (not UL Listed)

LED / AREA: NEC / CEC EXPLOSIONPROOF

APPLETON™

① For Group B applications, a Group B rated mounting hood must be used.

Code•Master™ Jr. LED Factory Sealed Luminaires

Explosionproof, Dust-Ignitionproof

For use with threaded metal conduit.

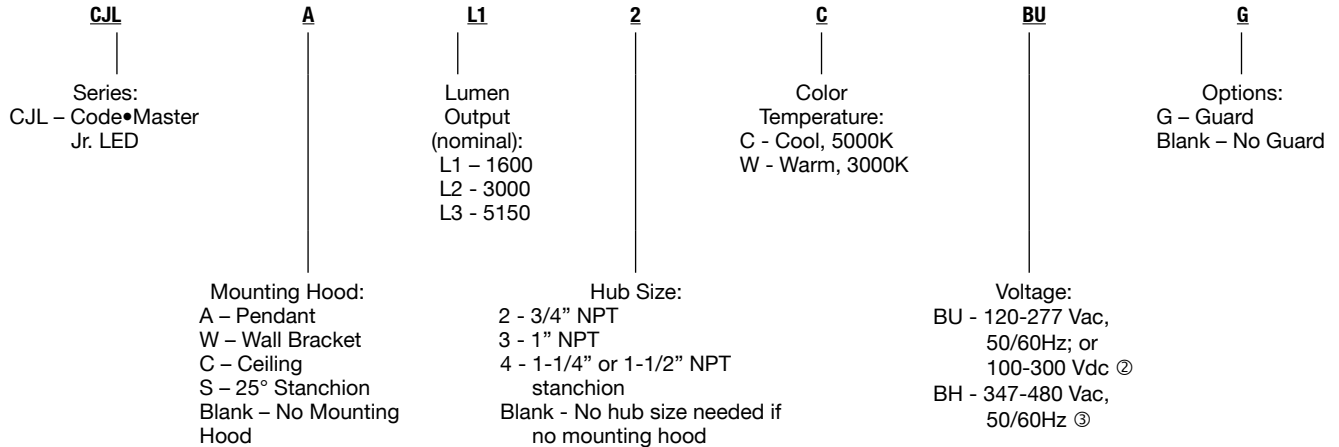
NEC/CEC:

Class I, Division 1, Groups B, C, D ①
 Class II, Division 1, Groups E, F, G
 Class III
 Zone 1, Ex db IIB + H₂
 NEMA 3R, 4X

NEC/CEC:

Suitable for use in Wet Locations
 Marine Outside Type (Salt Water)

Order using catalog numbering guides below or select catalog number from tables on following pages.



NEC/CEC Temperature Codes

Model	Use Wire Supply °C (°F)	Ambient Temperature °C (°F)	Class I, Division 1, Groups B, C and D	Class II, Division 1, Groups E, F and G
CJLL1	90 (194)	40 (104) 55 (131)	T6	T6
CJLL2	90 (194)	40 (104) 55 (131)	T6	T6
CJLL3	90 (194)	40 (104)	T6	T6

“T” Numbers Represent the Maximum External Temperature for Class I, Division 1 Locations and Maximum Surface Temperature Under Dust Blanket for Class II, Division 1 Locations.

“T” Number	T1	350	325	T2	T2A	T2B	T2C	T2D	T3	T3A	T3B	T3	T4	T4A	T5	T6
Temp Range (°C)	351-450	326-350	301-325	281-300	261-280	231-260	216-230	201-215	181-200	166-180	161-165	136-160	121-135	101-120	86-100	85
Temp Range (°F)	664-842	619-662	574-617	538-572	502-536	448-500	421-446	394-419	358-392	331-356	322-329	277-320	250-275	214-248	187-212	185

NOTE: The maximum operating temperature of the fixture must not exceed the ignition temperature of the gas, vapor or dust to be encountered per the National Electrical Code and the Canadian Electrical Code.

① For Group B applications, a Group B rated mounting hood must be used.

② Only for L1 and L2 models, 125-300 Vdc for L3 model.

③ Only for L3 models.

Code•Master™ Jr. LED Factory Sealed Luminaires

Explosionproof, Dust-Ignitionproof

For use with threaded metal conduit.

NEC/CEC:

Class I, Division 1, Groups B, C, D ①
 Class II, Division 1, Groups E, F, G
 Class III
 Zone 1, Ex db IIB + H₂
 NEMA 3R, 4X

NEC/CEC:

Suitable for use in Wet Locations
 Marine Outside Type (Salt Water)

Electrical Specifications (are within +/-10%)

Model Number	Voltage	Input Power (Watts)	Input Current (Amps)	Power Factor (PF)	Total Harmonic Distortion (THD)
CJLL1	120 Vac	13	0.11	>.9	<20%
	277 Vac	14	0.05	>.9	<20%
	100 Vdc	13	0.13	N/A	<20%
	300 Vdc	14	0.05	N/A	<20%
CJLL2	120 Vac	26	0.22	>.9	<20%
	277 Vac	27	0.10	>.9	<20%
	100 Vdc	26	0.26	N/A	<20%
	300 Vdc	27	0.09	N/A	<20%
CJLL3	120 Vac	48	0.40	>.9	<20%
	277 Vac	47	0.18	>.9	<20%
	125 Vdc	48	0.38	N/A	<20%
	300 Vdc	47	0.16	N/A	<20%
	347 Vdc	49	0.15	>.9	<20%
	480 Vdc	49	0.11	>.9	<20%

LED/AREA: NEC/CEC EXPLOSIONPROOF

APPLETON™

① For Group B applications, a Group B rated mounting hood must be used.

Code•Master™ Jr. LED Factory Sealed Luminaires

Explosionproof, Dust-Ignitionproof


For use with threaded metal conduit.

NEC/CEC:

Class I, Division 1, Groups B, C, D ①
 Class II, Division 1, Groups E, F, G
 Class III
 Zone 1, Ex db IIB + H₂
 NEMA 3R, 4X

NEC/CEC:

Suitable for use in Wet Locations
 Marine Outside Type (Salt Water)

Catalog Number							
	Mounting Type	Hub Size (inches)	Lumen Output	Color Temperature (CCT)	Voltage	Catalog Number	
	One Hub Rigid Conduit	3/4	1600	5000K	120-277 Vac 50/60 Hz;	CJLAL12CBU	
			3000		100-300 Vdc	CJLAL22CBU	
			5150		120-277 Vac 50/60 Hz;	CJLAL32CBU	
					125-300 Vdc	CJLAL32CBH	
			1500		120-277 Vac 50/60 Hz;	CJLAL12WBU	
			2900		100-300 Vdc	CJLAL22WBU	
		1	3000K	5100		120-277 Vac 50/60 Hz;	CJLAL32WBU
						125-300 Vdc	CJLAL32WBH
					1600	120-277 Vac 50/60 Hz;	CJLAL13CBU
					3000	100-300 Vdc	CJLAL23CBU
					5150	120-277 Vac 50/60 Hz;	CJLAL33CBU
						125-300 Vdc	CJLAL33CBH
		1	3000K	5100	1500	120-277 Vac 50/60 Hz;	CJLAL13WBU
					2900	100-300 Vdc	CJLAL23WBU
						120-277 Vac 50/60 Hz;	CJLAL33WBU
						125-300 Vdc	CJLAL33WBH
						347-480 Vac 50/60 Hz;	CJLAL33WBH
						50/60 Hz;	CJLAL33WBH

LED/AREA: NEC/CEC EXPLOSIONPROOF

APPLETON

① For Group B applications, a Group B rated mounting hood must be used.

Code•Master™ Jr. LED Factory Sealed Luminaires

Explosionproof, Dust-Ignitionproof

For use with threaded metal conduit.

NEC/CEC:

Class I, Division 1, Groups B, C, D ①
 Class II, Division 1, Groups E, F, G
 Class III
 Zone 1, Ex db IIB + H₂
 NEMA 3R, 4X

NEC/CEC:

Suitable for use in Wet Locations
 Marine Outside Type (Salt Water)

Catalog Number

Mounting Type	Hub Size (inches)	Lumen Output	Color Temperature (CCT)	Voltage	Catalog Number	
Four Hubs Three Close-Up Plugs Rigid Conduit	3/4	1600	5000K	120-277 Vac 50/60 Hz;	CJLCL12CBU	
		3000		100-300 Vdc	CJLCL22CBU	
		5150		120-277 Vac 50/60 Hz;	CJLCL32CBU	
				125-300 Vdc	CJLCL32CBU	
		1500		3000K	347-480 Vac 50/60 Hz	CJLCL32CBH
					120-277 Vac 50/60 Hz;	CJLCL12WBU
	2900	100-300 Vdc	CJLCL22WBU			
	1	5100	5000K	120-277 Vac 50/60 Hz;	CJLCL32WBU	
				125-300 Vdc	CJLCL32WBU	
				347-480 Vac 50/60 Hz	CJLCL32WBH	
		1600	5000K	5000K	120-277 Vac 50/60 Hz;	CJLCL13CBU
					100-300 Vdc	CJLCL23CBU
120-277 Vac 50/60 Hz;					CJLCL33CBU	
5150	125-300 Vdc	CJLCL33CBU				
1500	3000K	3000K	347-480 Vac 50/60 Hz	CJLCL33CBH		
			120-277 Vac 50/60 Hz;	CJLCL13WBU		
			100-300 Vdc	CJLCL23WBU		
5150	125-300 Vdc	CJLCL33WBU				
347-480 Vac 50/60 Hz	3000K	3000K		CJLCL33WBH		



Four Hubs
Three Close-Up
Plugs Rigid
Conduit

LED/AREA: NEC/CEC EXPLOSIONPROOF

APPLETON™

① For Group B applications, a Group B rated mounting hood must be used.

Code•Master™ Jr. LED Factory Sealed Luminaires

Explosionproof, Dust-Ignitionproof


For use with threaded metal conduit.

NEC/CEC:

Class I, Division 1, Groups B, C, D ①
 Class II, Division 1, Groups E, F, G
 Class III
 Zone 1, Ex db IIB + H₂
 NEMA 3R, 4X

NEC/CEC:

Suitable for use in Wet Locations
 Marine Outside Type (Salt Water)

Catalog Number							
Mounting Type	Hub Size (inches)	Lumen Output	Color Temperature (CCT)	Voltage	Catalog Number		
 <p>Four Hubs Three Close-Up Plugs Rigid Conduit</p>	3/4	1600	5000K	120-277 Vac 50/60 Hz;	CJLWL12CBU		
		3000		100-300 Vdc	CJLWL22CBU		
		5150		120-277 Vac 50/60 Hz;	CJLWL32CBU		
				125-300 Vdc	CJLWL32CBH		
		1	5000K	1500	120-277 Vac 50/60 Hz;	CJLWL12WBU	
				2900	100-300 Vdc	CJLWL22WBU	
				5100	120-277 Vac 50/60 Hz;	CJLWL32WBU	
					125-300 Vdc	CJLWL32WBH	
	3000K		1600	120-277 Vac 50/60 Hz;	CJLWL13CBU		
			3000	100-300 Vdc	CJLWL23CBU		
			5150	120-277 Vac 50/60 Hz;	CJLWL33CBU		
				125-300 Vdc	CJLWL33CBH		
	3000K	1500	120-277 Vac 50/60 Hz;	CJLWL13WBU			
		2900	100-300 Vdc	CJLWL23WBU			
		5100	120-277 Vac 50/60 Hz;	CJLWL33WBU			
			125-300 Vdc	CJLWL33WBH			

LED/AREA: NEC/CEC EXPLOSIONPROOF

APPLETON

① For Group B applications, a Group B rated mounting hood must be used.

Code•Master™ Jr. LED Factory Sealed Luminaires

Explosionproof, Dust-Ignitionproof

For use with threaded metal conduit.


NEC/CEC:

Class I, Division 1, Groups B, C, D ①
 Class II, Division 1, Groups E, F, G
 Class III
 Zone 1, Ex db IIB + H₂
 NEMA 3R, 4X

NEC/CEC:

Suitable for use in Wet Locations
 Marine Outside Type (Salt Water)

Catalog Number

	Mounting Type	Hub Size (inches)	Lumen Output	Color Temperature (CCT)	Voltage	Catalog Number	
	One Hub	1-1/4 or 1-1/2	1600	5000K	120-277 Vac 50/60 Hz;	CJLSL14CBU	
			3000		100-300 Vdc-	CJLSL24CBU	
			5150		120-277 Vac 50/60 Hz;	CJLSL34CBU	
					125-300 Vdc		
					347-480 Vac 50/60 Hz	CJLSL34CBH	
			1500		3000K	120-277 Vac 50/60 Hz;	CJLSL14WBU
			2900			100-300 Vdc	CJLSL24WBU
						120-277 Vac 50/60 Hz;	CJLSL34WBU
						125-300 Vdc	
			5100			347-480 Vac 50/60 Hz	CJLSL34WBH

LED/AREA: NEC/CEC EXPLOSIONPROOF

APPLETON™

① For Group B applications, a Group B rated mounting hood must be used.

Code•Master™ Jr. LED Factory Sealed Luminaires

Explosionproof, Dust-Ignitionproof

For use with threaded metal conduit.


NEC/CEC:

Class I, Division 1, Groups B, C, D ①
 Class II, Division 1, Groups E, F, G
 Class III
 Zone 1, Ex db IIB + H₂
 NEMA 3R, 4X





NEC/CEC:

Suitable for use in Wet Locations
 Marine Outside Type (Salt Water)

Fixture Housing (Not including mounting hoods)

	Description	Weight kg (lb)	Catalog Number
	1600 Lumens, 5000K, 120-277 Vac and 100-300 Vdc	5.2 (11.5)	CJLL1CBU
	3000 Lumens, 5000K, 120-277 Vac and 125-300 Vdc	5.2 (11.5)	CJLL2CBU
	5150 Lumens, 5000K, 120-277 Vac and 100-300 Vdc	5.5 (12.0)	CJLL3CBU
	5150 Lumens, 5000K, 120-277 Vac and 100-300 Vdc	5.5 (12.0)	CJLL3CBH
	1500 Lumens, 3000K, 120-277 Vac and 125-300 Vdc	5.2 (11.5)	CJLL1WBU
	2900 Lumens, 3000K, 120-277 Vac and 100-300 Vdc	5.2 (11.5)	CJLL2WBU
	5100 Lumens, 3000K, 120-277 Vac and 125-300 Vdc	5.5 (12.0)	CJLL3WBU
	5100 Lumens, 3000K, 120-277 Vac and 125-300 Vdc	5.5 (12.0)	CJLL3WBH

Mounting Hoods

	Type Mounting	Hub Size (Inches)	Certified for Class I, Division 1 and 2, Groups	Hood Weight kg (lb)	Catalog Number
	One Hub Rigid Conduit	3/4	C, D	0.9 (1.98)	CAP-75
			B, C, D		CAP-75B
		1	C, D	0.9 (1.98)	CAP-100
			B, C, D		CAP-100B
	Four Hubs Three Close-Up Plugs Rigid Conduit	3/4	C, D	1.8 (3.97)	CAC-75
			B, C, D		CAC-75B
		1	C, D	1.8 (3.97)	CAC-100
			B, C, D		CAC-100B
	Four Hubs Three Close-Up Plugs Rigid Conduit	3/4	C, D	2.7 (5.95)	CALB-75
			B, C, D		CALB-75B
		1	C, D	2.7 (5.95)	CALB-100
			B, C, D		CALB-100B
	One Hub	1-1/4 or 1-1/2	C, D	0.9 (1.98)	CAS-150 ②
			B, C, D		CAS-150B

① For Group B applications, a Group B rated mounting hood must be used.

② 1-1/2" Tapped hub furnished with 1-1/2" to 1-1/4" reducer.

LED/AREA: NEC/CEC EXPLOSIONPROOF

APPLETON

Code•Master™ Jr. LED Factory Sealed Luminaires

Explosionproof, Dust-Ignitionproof

For use with threaded metal conduit.






NEC/CEC:

Class I, Division 1, Groups B, C, D ①
 Class II, Division 1, Groups E, F, G
 Class III
 Zone 1, Ex db IIB + H₂
 NEMA 3R, 4X

NEC/CEC:

Suitable for use in Wet Locations
 Marine Outside Type (Salt Water)

Accessories and Replacement Parts

	Description	Weight kg (lb)	Catalog Number
Optional White Polyester Reflector			
	Standard Dome	1.1 (2.43)	KR2-ST
Optional White Polyester Reflector			
	Angled Reflector	1.1 (2.43)	KR2-AN
Optional Aluminum Guard			
		0.2 (0.44)	CJGU-15
Optional Three Way Exit Sign (not UL Listed)			
		3.4 (7.50)	CJEXRN
Replacement Connection Block for Mounting Hoods			
		0.2 (0.44)	VPT-7

LED/AREA: NEC/CEC EXPLOSIONPROOF

APPLETON™

① For Group B applications, a Group B rated mounting hood must be used.

Code•Master™ Jr. LED Factory Sealed Luminaires

Explosionproof, Dust-Ignitionproof

For use with threaded metal conduit.

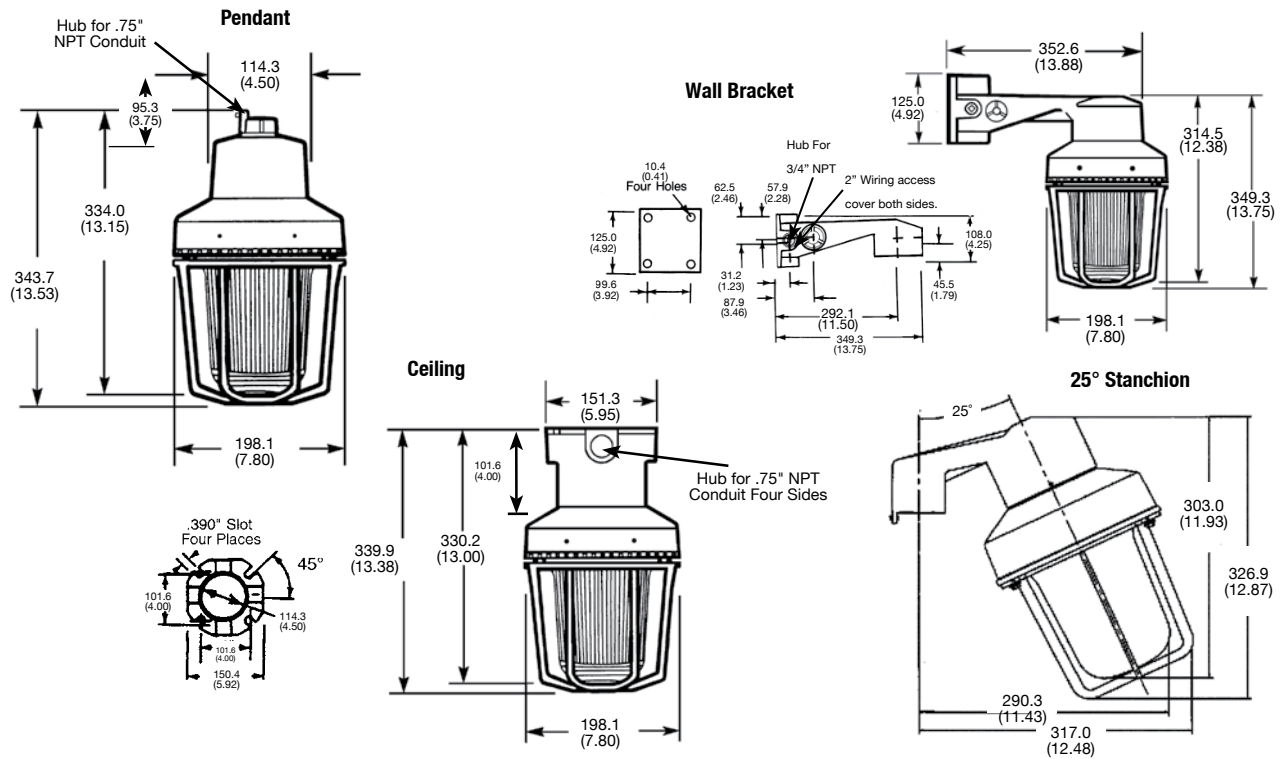
NEC/CEC:

Class I, Division 1, Groups B, C, D ①
 Class II, Division 1, Groups E, F, G
 Class III
 Zone 1, Ex db IIB + H₂
 NEMA 3R, 4X

NEC/CEC:

Suitable for use in Wet Locations
 Marine Outside Type (Salt Water)

Dimensions in Millimeters (Inches)



① For Group B applications, a Group B rated mounting hood must be used.

Code•Master™ Jr. LED Factory Sealed Luminaires

Explosionproof, Dust-Ignitionproof

For use with threaded metal conduit.

NEC/CEC:

Class I, Division 1, Groups B, C, D ①
 Class II, Division 1, Groups E, F, G
 Class III
 Zone 1, Ex db IIB + H₂
 NEMA 3R, 4X

NEC/CEC:

Suitable for use in Wet Locations
 Marine Outside Type (Salt Water)

Photometric Data — DATA SHOWN IS ABSOLUTE

Prismatic Glass, 5000K CCT

REPORT NUMBER: CJLAL12CBU

Luminaire Lumens 1,600

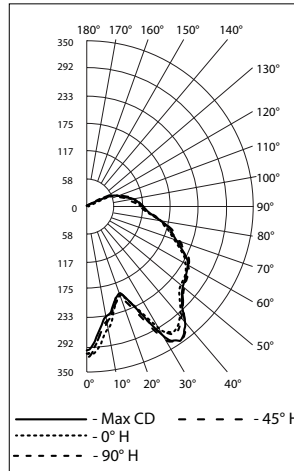
ZONAL LUMEN SUMMARY

Zone	Lumens	% Luminaire
0-30	201.0	12.4%
0-40	403.5	24.8%
0-60	852.6	52.4%
60-90	552.9	34%
70-100	440.0	27%
90-120	217.0	13.3%
0-90	1405.5	86.4%
90-180	221.4	13.6%
0-180	1626.9	100%

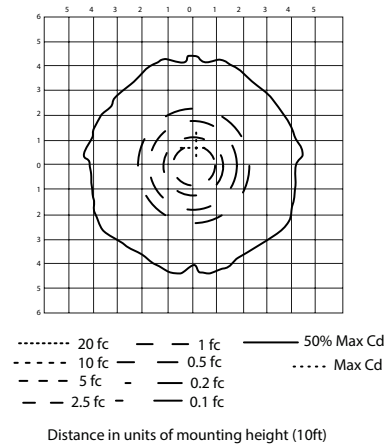
LUMENS PER ZONE

Zone	Lumens	% Total	Zone	Lumens	% Total
0-10	25.1	1.5%	90-100	109.8	6.8%
10-20	61.3	3.8%	100-110	81.6	5%
20-30	114.6	7.0%	110-120	25.6	1.6%
30-40	202.5	12.4%	120-130	2.2	0.1%
40-50	220.7	13.6%	130-140	1.5	0.1%
50-60	228.4	14.0%	140-150	0.6	0%
60-70	222.7	13.7%	150-160	0.1	0%
70-80	190.0	11.7%	160-170	0	0%
80-90	140.1	8.6%	170-180	0	0%

Polar Candela Distribution



Isoillumination Plot



Prismatic Glass, 5000K CCT

REPORT NUMBER: CJLAL22CBU

Luminaire Lumens 3,000

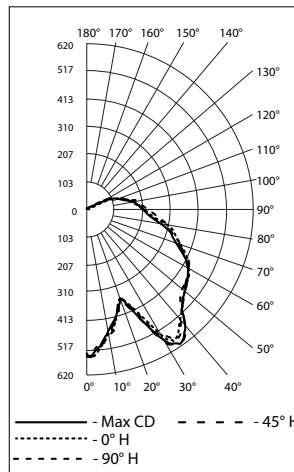
ZONAL LUMEN SUMMARY

Zone	Lumens	% Luminaire
0-30	372.8	12.4%
0-40	737.2	24.6%
0-60	1550.7	51.7%
60-90	1022.5	34.1%
70-100	824.7	27.5%
90-120	418.7	14%
0-90	2573.2	85.7%
90-180	427.8	14.3%
0-180	3001.0	100%

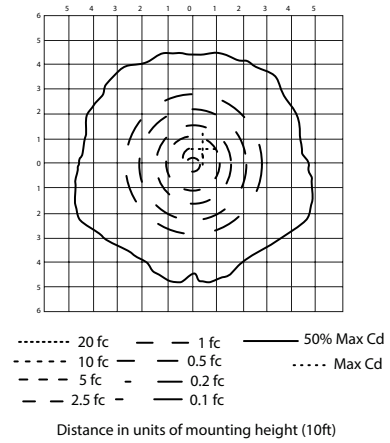
LUMENS PER ZONE

Zone	Lumens	% Total	Zone	Lumens	% Total
0-10	47.7	1.6%	90-100	209.5	7%
10-20	115.2	3.8%	100-110	157.4	5.2%
20-30	209.9	7.0%	110-120	51.8	1.7%
30-40	364.4	12.1%	120-130	4.7	0.2%
40-50	398.9	13.3%	130-140	3.1	0.1%
50-60	414.6	13.8%	140-150	1.1	0%
60-70	407.3	13.6%	150-160	0.2	0%
70-80	352.3	11.7%	160-170	0	0%
80-90	262.9	8.8%	170-180	0	0%

Polar Candela Distribution



Isoillumination Plot



LED/AREA: NEC/CEC EXPLOSIONPROOF

APPLETON™

① For Group B applications, a Group B rated mounting hood must be used.

Code•Master™ Jr. LED Factory Sealed Luminaires

Explosionproof, Dust-Ignitionproof

For use with threaded metal conduit.

NEC/CEC:

Class I, Division 1, Groups B, C, D ①
 Class II, Division 1, Groups E, F, G
 Class III
 Zone 1, Ex db IIB + H₂
 NEMA 3R, 4X

NEC/CEC:

Suitable for use in Wet Locations
 Marine Outside Type (Salt Water)

Photometric Data — DATA SHOWN IS ABSOLUTE

Prismatic Glass, 5000K CCT

REPORT NUMBER: CJLAL32CBU

Luminaire Lumens 5,150

Polar Candela Distribution

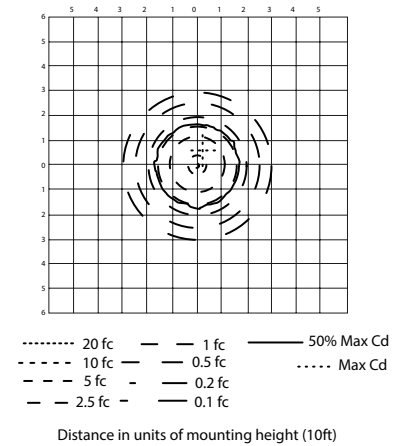
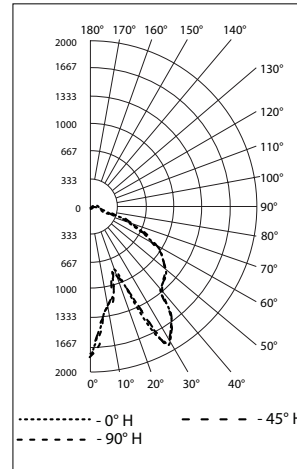
Isoillumination Plot

ZONAL LUMEN SUMMARY

Zone	Lumens	% Luminaire
0-30	1009.5	19.6%
0-40	2057.9	40%
0-60	3955.0	76.9%
60-90	1122.9	21.8%
70-100	410.5	8%
90-120	42.9	0.8%
0-90	5077.9	98.8%
90-180	62.8	1.2%
0-180	5140.7	100%

LUMENS PER ZONE

Zone	Lumens	% Total	Zone	Lumens	% Total
0-10	130.6	2.5%	90-100	17.5	0.3%
10-20	293.1	5.7%	100-110	13.7	0.3%
20-30	585.8	11.4%	110-120	11.7	0.2%
30-40	1048.3	20.4%	120-130	10.2	0.2%
40-50	956.5	18.6%	130-140	6.7	0.1%
50-60	940.6	18.3%	140-150	2.6	0%
60-70	729.9	14.2%	150-160	0.4	0%
70-80	335.5	6.5%	160-170	0	0%
80-90	57.5	1.1%	170-180	0	0%



LED/AREA: NEC/CEC EXPLOSIONPROOF

APPLETON

① For Group B applications, a Group B rated mounting hood must be used.